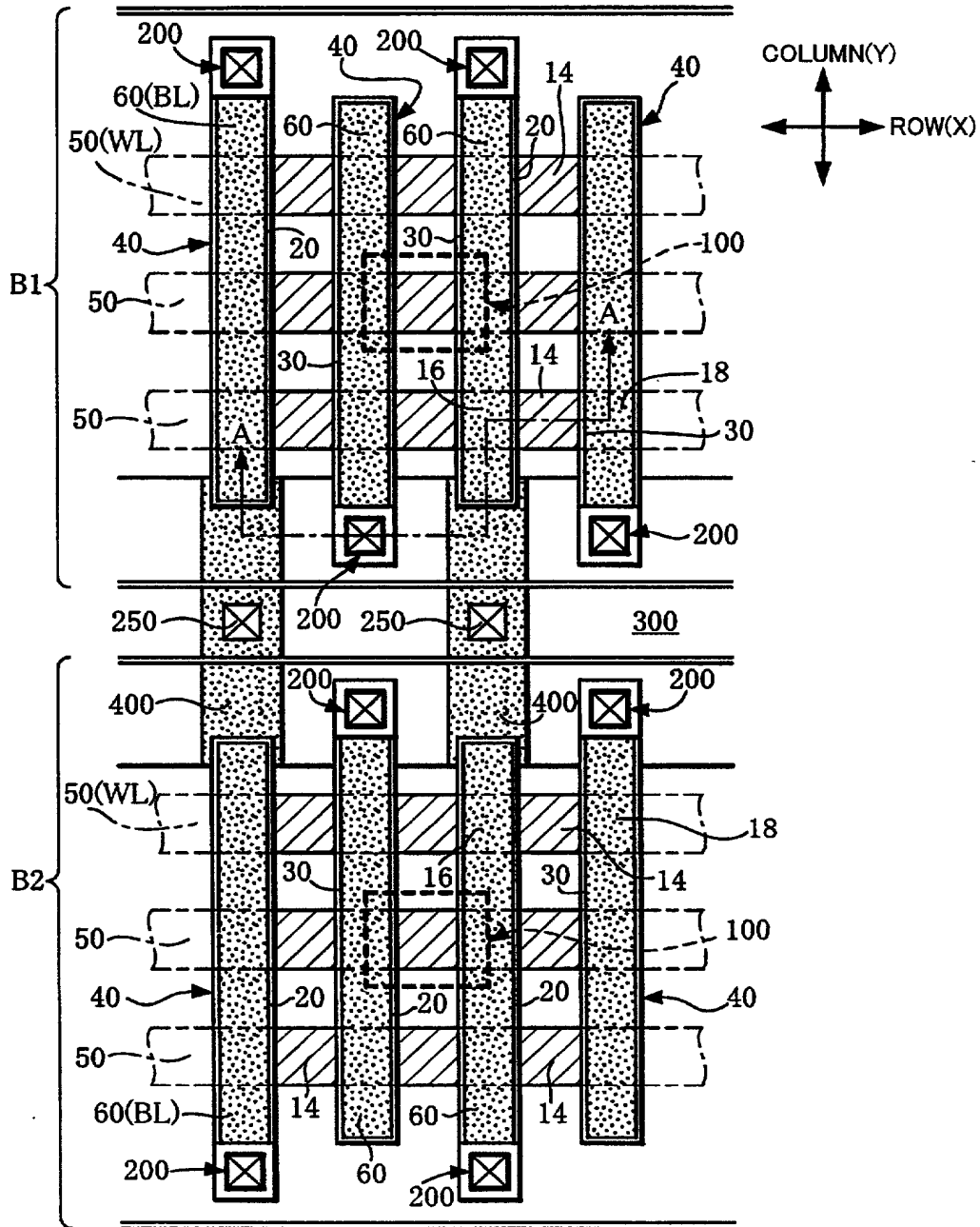


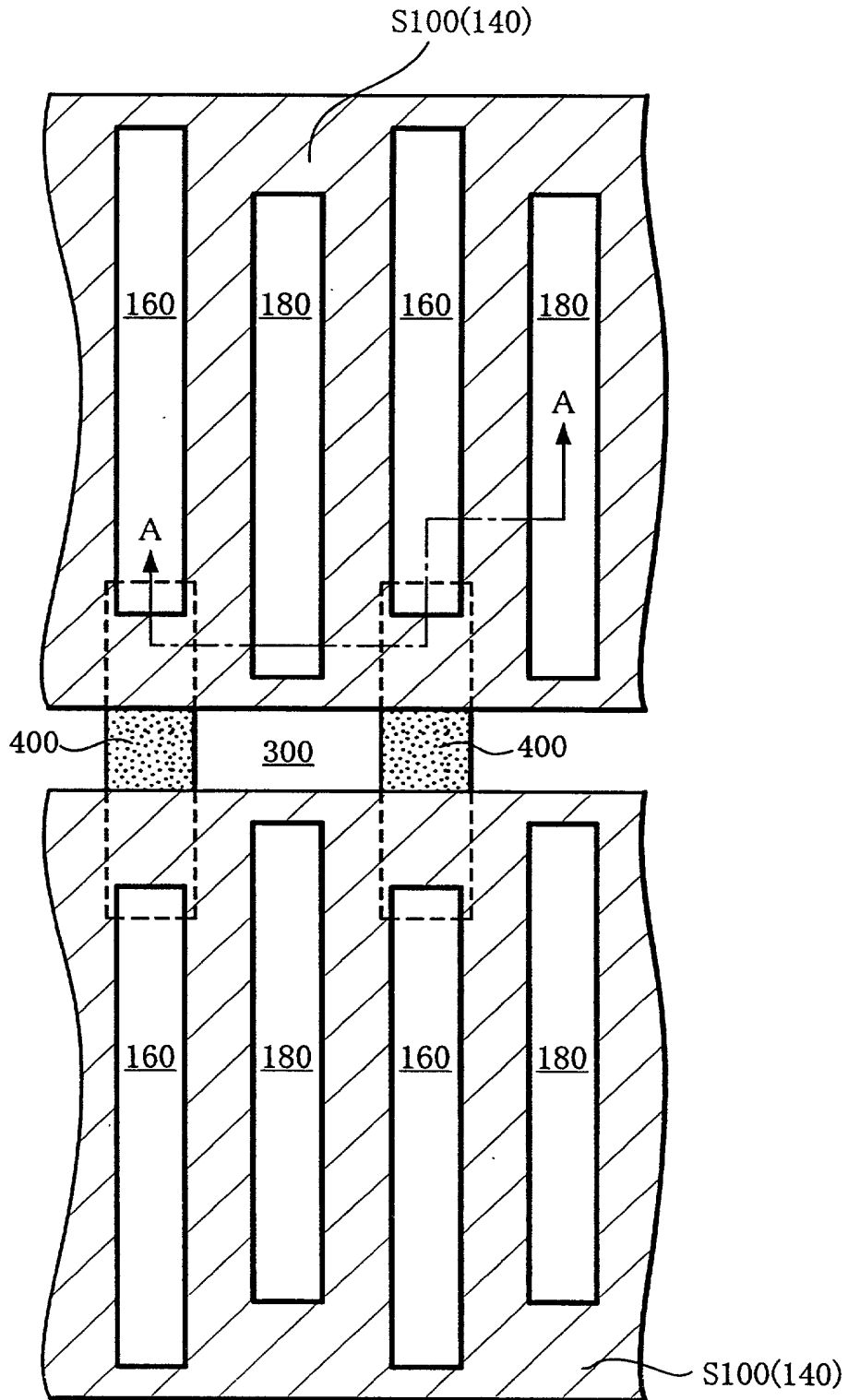
FIG. 1



"Patent" of "Patent"



FIG. 4



www.researchgate.net

FIG. 5

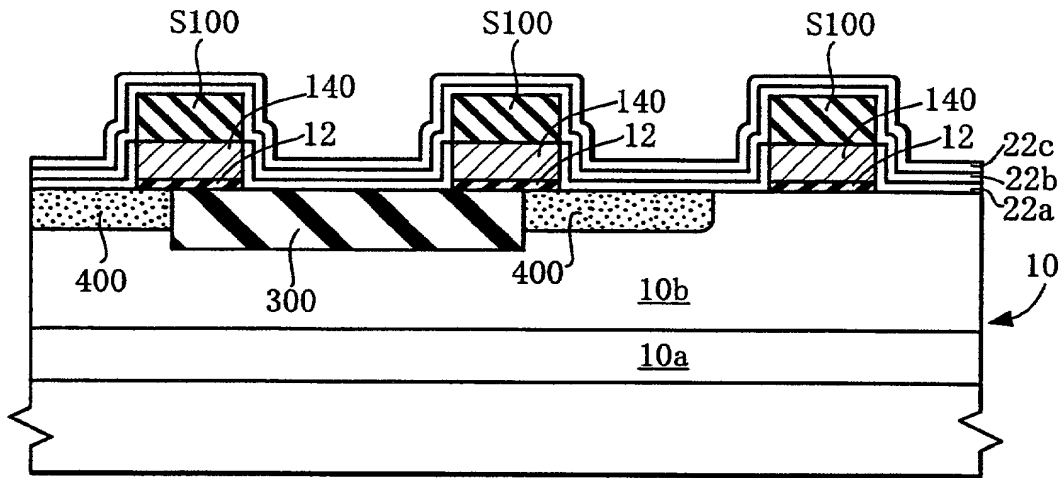


FIG. 6

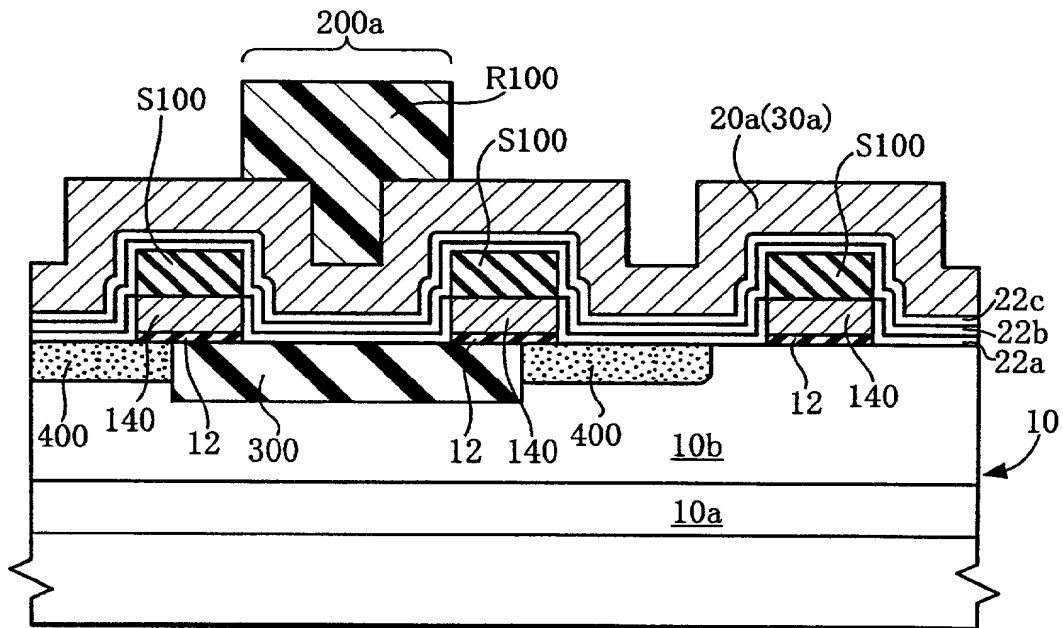


FIG. 7

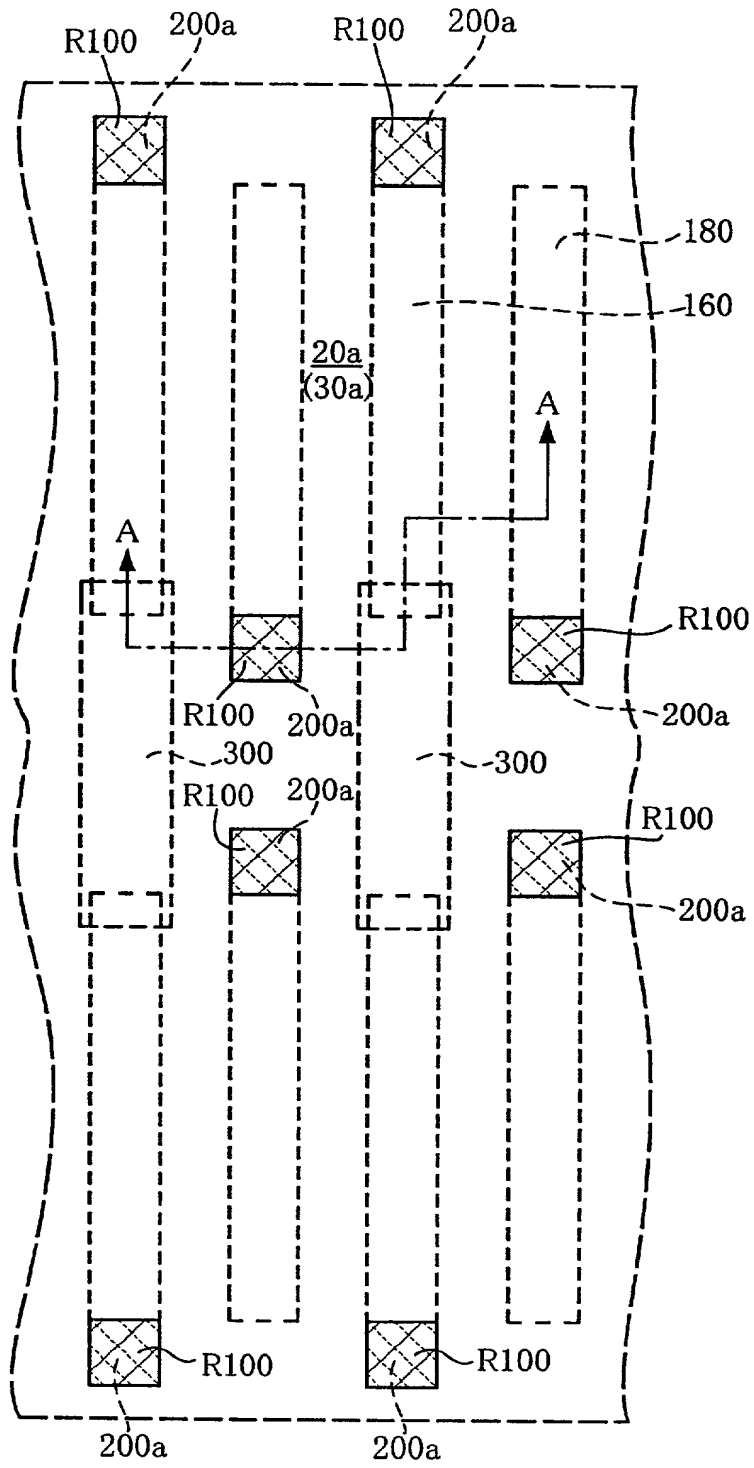


PHOTO MICROGRAPH



FIG. 10

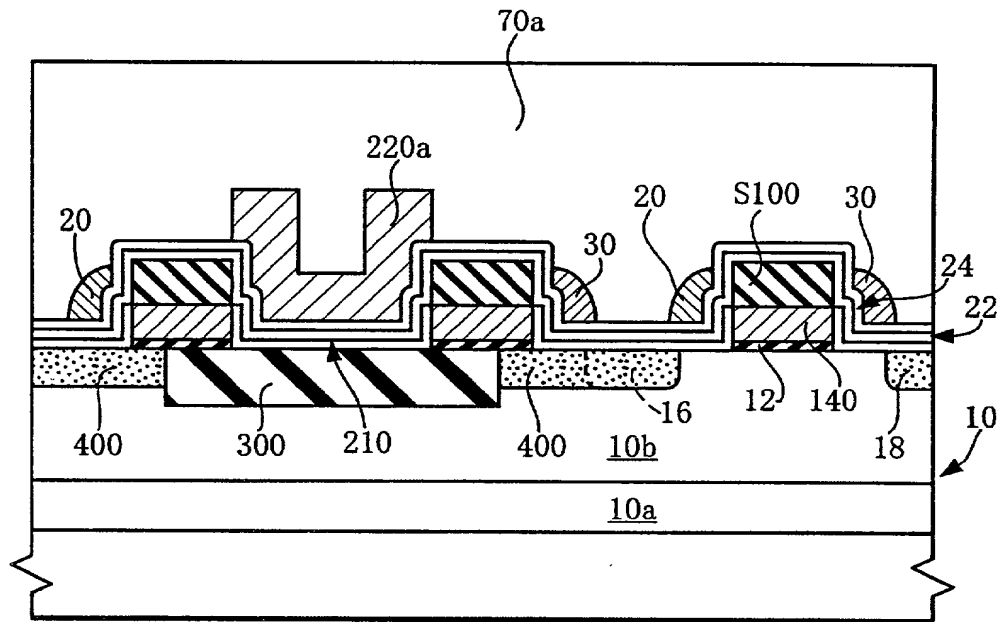


FIG. 11

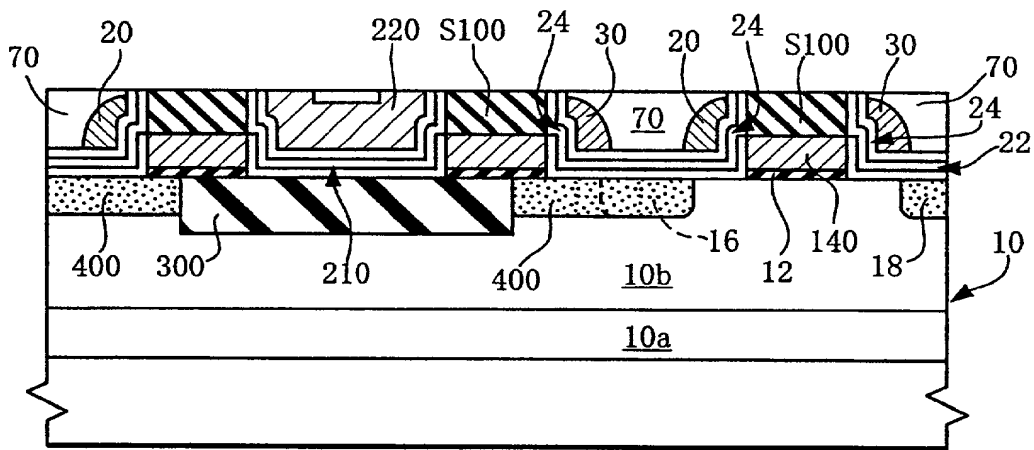


FIG. 12

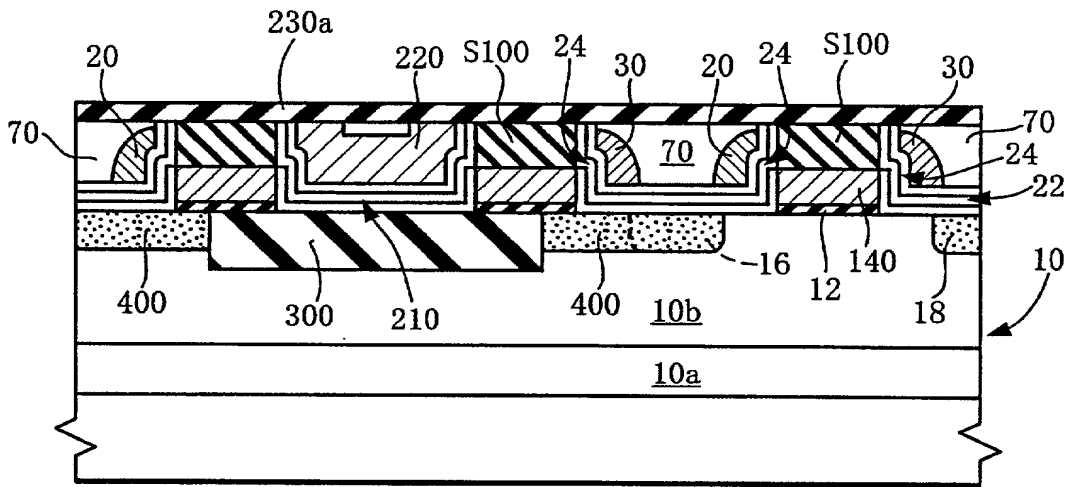


FIG. 13

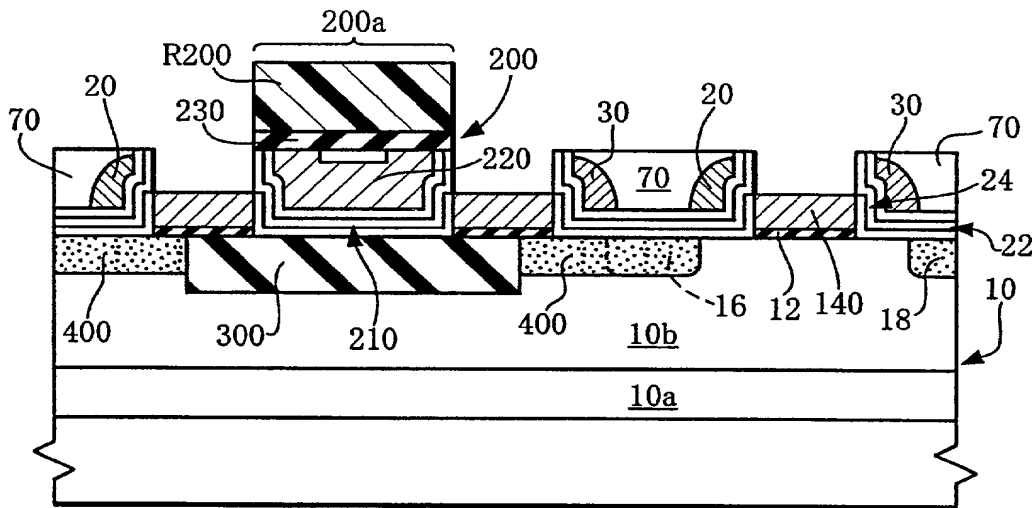


PHOTO MICROGRAPH







